
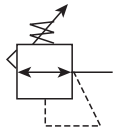


Regulator – Standard SR2

 = "Most Popular"



SR2-04-LA00

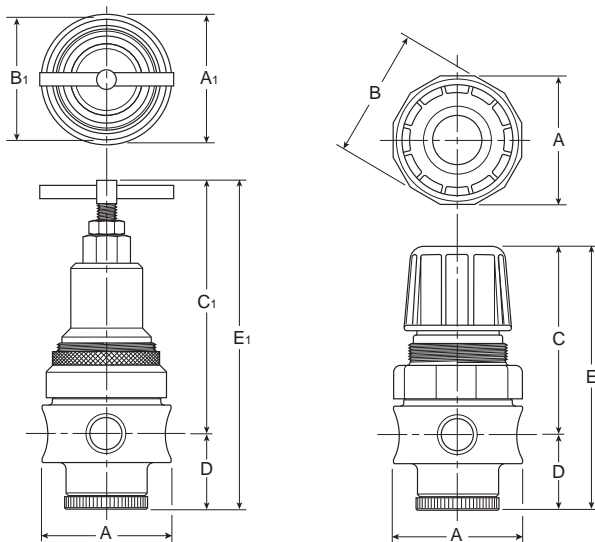


SR2-04-LAS0

Features

- Stainless Steel Construction Handles Most Corrosive Environments
- Large Diaphragm to Valve Area Ratio for Precise Regulation and High Flow Capacity
- Meets NACE Specifications MR-01-75/ISO 15156
- Low Temperature Version Available
- High Flow: 1/2" – 80 SCFM[§]

[§] SCFM = Standard cubic feet per minute at 100 PSIG inlet, 75 PSIG no flow secondary setting and 15 PSIG pressure drop.



Dimensions

Models	Inches (mm)	A	A1	B	B1	C	C1	D	E	E1
Miniature Unit SR2-04-XXXX		2.36 (60)	3.36 (85)	2.43 (62)	2.35 (60)	3.59 (91)	4.70 (119)	1.38 (35)	4.97 (126)	6.08 (154)

Specifications

Flow Capacity*	Port Size	80 SCFM
	1/2	
Gauge Port		1/4 Inch
Port Threads		1/2 Inch

Pressure & Temperature Ratings –	
SR2-04-LA00 –	300 PSIG Max (20.7 bar) 0°F to 150°F (-18°C to 66°C)
SR2-04-LAS0 –	300 PSIG Max (20.7 bar) 0°F to 180°F (-18°C to 82°C)

Option "L" Minimum Operating Temperature† – -40°F (-40°C)

Note: Air must be dry enough to avoid ice formation at temperatures below 32°F (0°C).

Weight	1.79 lb. (0.81 kg)
--------	--------------------

* Inlet pressure 100 PSIG (6.9 bar) and 75 PSIG (5.2 bar) no flow secondary setting and 25% pressure drop.

† Note: "Low Temperature" option is intended for applications where the ambient temperature may be down to -40° C/F. Air supply must be free of moisture to prevent ice formation and malfunction of units. These units contain EPDM seals. Make sure any oils in the airstream are compatible.

Materials of Construction

Adjustment Mechanism / Springs	316 Stainless Steel
Body	316 Stainless Steel
Bonnet / Tee Handle (SR2-04-LAS0)	316 Stainless Steel
Bonnet / Knob (SR2-04-LA00)	Acetal
Bottom Plug	316 Stainless Steel
Poppet	316 Stainless Steel
Seals	Fluorocarbon

WARNING

Product rupture can cause serious injury.
Do not connect regulator to bottled gas.
Do not exceed maximum primary pressure rating.

CAUTION:

REGULATOR PRESSURE ADJUSTMENT – The working range of knob adjustment is designed to permit outlet pressures within their full range. Pressure adjustment beyond this range is also possible because the knob is not a limiting device. This is a common characteristic of most industrial regulators, and limiting devices may be obtained only by special design.

For best performance, regulated pressure should always be set by increasing the pressure up to the desired setting.



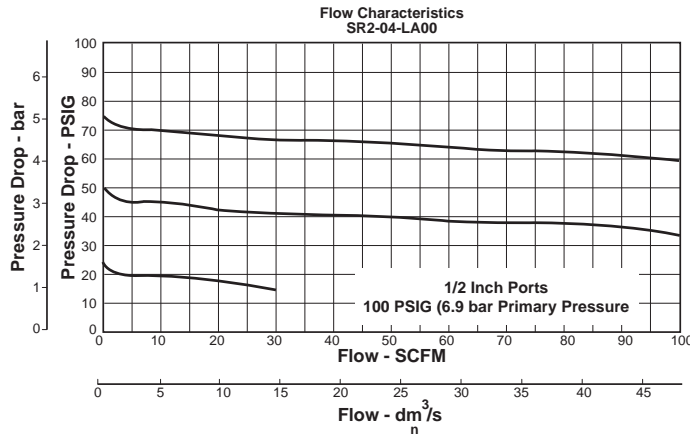
Stainless Steel Products



SR2 Regulator Kits & Accessories

- Bonnet Kit SR2-04-LA00 (Knob)SRP-96-018
- Bonnet Kit SR2-04-LAS0 (T-Handle)CKR11YSS
- Gauge (Stainless) –
 - 160 PSIG (0 to 1100 kPa), 2" Face K4520N14160SS
- Mounting Bracket (Stainless)..... R10Y57-SS
- Panel Mount Nut –
 - Stainless SRP-96-020
 - PlasticR10X51-P
- Pipe Nipple –
 - 1/2" 316 Stainless SteelSRP-96-010
- Service Kit –
 - RelievingSRP-96-011
 - Non-RelievingSRP-96-012
- Springs –
 - 0-60 PSIG Range SPR-388-1-SS
 - 0-125 PSIG Range SPR-389-1-SS
 - 0-250 PSIG Range SPR-390-1-SS

Note: Order pressure gauge and panel mount nut separately.
Note: 1.75" dia. (44.5 mm) hole required for panel mounting
 (order panel nut separately).



Ordering Information

Model Type	Port Size	0 to 125 PSIG (0 to 8.6 bar)	0 to 60 PSIG (0 to 4.1 bar)	0 to 250 PSIG (0 to 17.2 bar)
Relieving	1/2	SR2-04-LA00	SR2-04-KA00	SR2-04-MA00
Non-Relieving	1/2	SR2-04-YA00	SR2-04-XA00	SR2-04-ZA00

Options - To order an option supplied with the unit model, add the appropriate coded suffix letter in the designated position of the model number.